

FlatSIGN / FlatSIGN with Audible Signal

**FlatSIGN Cont. tone 115-230VAC GN/YE/RD**



|           |            |
|-----------|------------|
| Part No.: | 691.400.68 |
| Series:   | FlatSIGN   |



**MECHANICAL DATA**

|                              |                             |
|------------------------------|-----------------------------|
| Length                       | 105 mm                      |
| Width                        | 45 mm                       |
| Height                       | 195 mm                      |
| Materials                    | PC<br>PC/ABS                |
| Dome colour                  | Clear                       |
| Housing colour               | Silver                      |
| Protection category          | IP65                        |
| Connection                   | Screw terminals             |
| cross-sectional area minimum | 0,50mm <sup>2</sup> / 20AWG |
| cross-sectional area maximum | 1,50mm <sup>2</sup> / 16AWG |
| Cable entry                  | Membrane grommet            |
| Cable entry minimum          | d = 1 mm                    |
| Cable entry maximum          | d = 13 mm                   |
| Tension relief               | Present (conforms to VDI)   |
| Type of fixing               | Wall mounting               |
| Service life optical         | 50,000 h maximum            |
| Acoustic service life        | 5,000 h minimum             |
| Working temperature minimum  | -30°C                       |
| Working temperature maximum  | +50°C                       |
| UL Type Rating               | Type 5                      |
| Weight with packaging        | 323 g                       |
| Product weight               | 268 g                       |

**ELECTRICAL DATA**

|                             |                              |
|-----------------------------|------------------------------|
| Operating voltage           | 115-230V                     |
| Operating voltage type      | AC                           |
| Operating voltage type      | 50Hz at 230V<br>60Hz at 115V |
| Operating voltage tolerance | +/- 10%                      |
| Rated operational voltage   | 230 VAC                      |
| Rated operational current   | 120 mA                       |
| Rated inrush current        | <5A                          |
| Protection class            | Protection class 2           |
| Pollution degree            | 3                            |
| Overvoltage category        | II                           |
| Isolation voltage           | Ui = 250V; Uimp = 2.500V     |

**OPTICAL DATA**

! For additional installation and mounting information, refer to the appropriate user guide at [www.werma.com](http://www.werma.com). This printed copy is for information only and is subject to alteration.

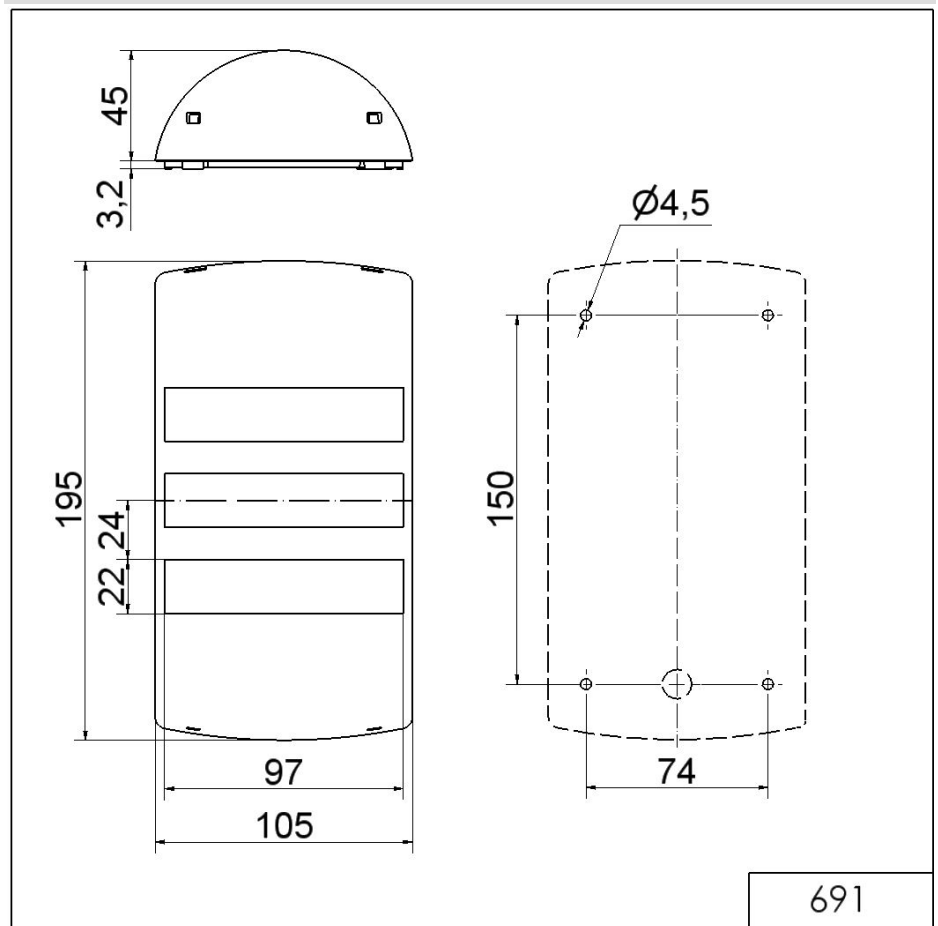
FlatSIGN / FlatSIGN with Audible Signal

**FlatSIGN Cont. tone 115-230VAC GN/YE/RD**

|                      |                        |
|----------------------|------------------------|
| Light source         | LED                    |
| Light colour         | Green<br>Red<br>Yellow |
| Optical signal image | Blink<br>Permanent     |
| Blink frequency (Hz) | 1 Hz                   |

| ACUSTICAL DATA                |                 |
|-------------------------------|-----------------|
| Volume/dB(max) at 1m distance | 80,0 dB dB(A)   |
| Acoustic signal image         | Continuous tone |
| Audio frequency               | 2500 Hz         |

**DRAWING**



! For additional installation and mounting information, refer to the appropriate user guide at [www.werma.com](http://www.werma.com). This printed copy is for information only and is subject to alteration.