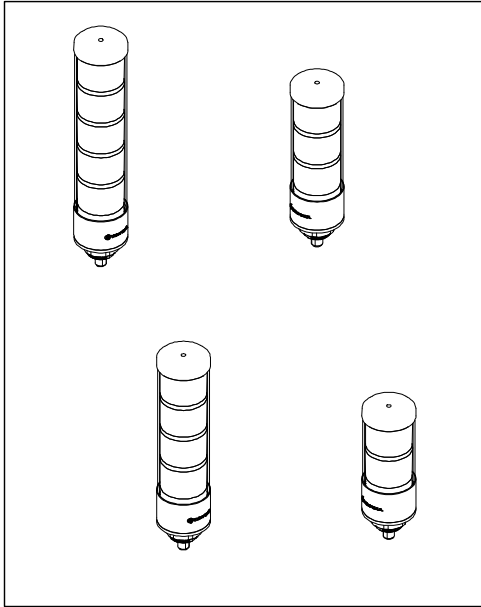
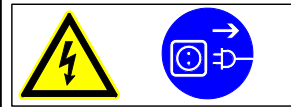


* -40°C : No buzzer version only

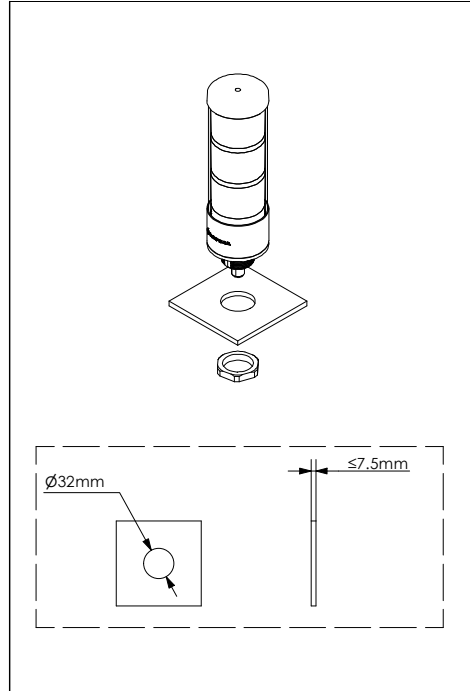


- Ⓓ Anschluss ausschließlich durch ausgebildete Elektro-Fachkräfte.
- Ⓔ Electrical connection is to be made by trained electrical specialists only .
- Ⓕ Le branchement doit uniquement être effectué par des professionnels.
- Ⓖ Il collegamento deve essere eseguito solo da elettricisti specializzati.
- Ⓔ La conexión sólo debe ser realizada por electricistas debidamente formados.
- Ⓐ A ligação deve ser feita exclusivamente por profissional elétrico especializado.
- Ⓐ De aansluiting mag enkel gebeuren door erkende vakmensen.
- Ⓐ Připojení smí provádět pouze kvalifikovaný personál.
- Ⓐ Podłączenie wyłącznie przez specjalistów-elektryków.
- Ⓐ Liittäminen kuuluu ainoastaan koulutettujen sähköalan ammattilaisten tehtäviin.
- Ⓐ Подключёние проводов только специалистом-электриком.
- Ⓐ Bağlantı sadece eğitimli elektrik teknisyenleri tarafından yapılmalıdır.
- Ⓐ 布线需由专业电工执行

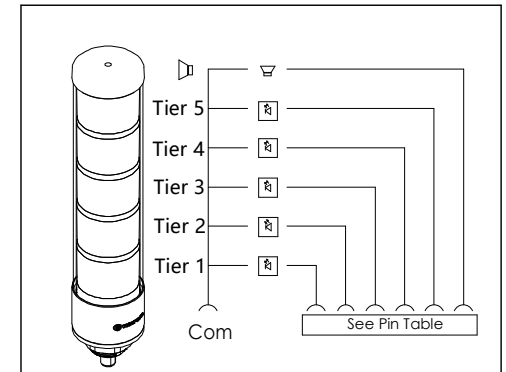
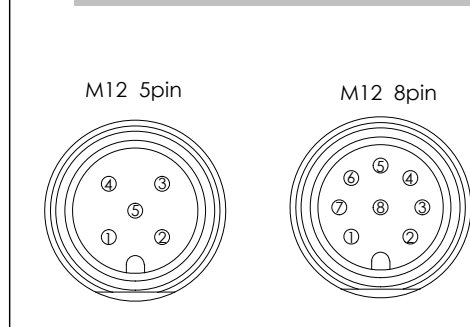


Vol				Current
12 VDC				686.900.04 GN I _{max} <85mA RD I _{max} <45mA YE I _{max} <115mA BU I _{max} <85mA
2.4VDC	686.263.15 686.373.15 686.483.15 686.593.15		686.263.05 686.373.05 686.483.05 686.593.05 686.900.05	Sound I _{max} <45mA RD I _{max} <25mA GN I _{max} <45mA YE I _{max} <55mA CL I _{max} <45mA BU I _{max} <45mA

	Continuous tone	2.8kHz
	Pulse tone	2.8kHz / 1 Hz
	Loudness	90 dB(Max)



- 1a- 686 263 05 , 686 263 15
686 373 05 , 686 373 15
- 1b- 686 483 05
- 1c- 686 900 04, 686 900 05
- 1d- 686 483 15 , 686 593 05
686 593 15



1a

Function	Pin	M12 5Pin
	5	
Tier 3	4	
Tier 2	2	
Tier 1	1	
Com	3	

1b

Function	Pin	M12 5Pin
Tier 4	5	
Tier 3	4	
Tier 2	2	
Tier 1	1	
Com	3	

1c

Function	Pin	M12 5Pin
Tier 4	4	
Tier 3	2	
Tier 2	1	
Tier 1	5	
Com	3	

1d

Function	Pin	M12 8Pin
	6	
Tier 5	5	
Tier 4	4	
Tier 3	3	
Tier 2	2	
Tier 1	1	
Com	7	

Marking of Hazardous Substances 有害物质标识

WERMA Signaltechnik GmbH + Co. KG
Dürbheimer Straße 15
78604 Rietheim-Weilheim / Germany

WERMA article number 伟马快德物料号:

686.263.15, 686.373.15, 686.483.15, 686.593.15

According to the SJ/T 11364-2014 Standard of the People's Republic of China for the Electronic Industry

本表格依据中华人民共和国 SJ/T 11364-2014 的规定编制

Component Name 部件名称	Hazardous Substances 有害物质					
	Lead 铅 (Pb)	Mercury 汞 (Hg)	Cadmium 镉 (Cd)	Hexavalent Chromium 六价铬 (Cr (VI))	Polybrominated biphenyls 多溴联苯 (PBB)	Polybrominated diphenyl ethers 多溴二苯醚 (PBDE)
Plastic parts 塑料件	○	○	○	○	○	○
Label 标签	○	○	○	○	○	○
PCB and its electronics components 印制电路板及其电子元器件	X	○	○	○	○	○
Buzzer 蜂鸣器	X	○	○	○	○	○
Contact spring 接触弹片	○	○	○	○	○	○

This table was developed according to the provisions of SJ/T 11364-2014
本表格依据 SJ / T 11364-2014 的规定编制

O: The content of such hazardous substance in all homogeneous materials of such component is **below** the limit required by GB/T 26572-2011.

表示该有害物质在该部件所有均质材料中的含量均在 GB/T 26572-2011 规定的限量要求以下。

X: The content of such hazardous substance in all homogeneous materials of such component is **beyond** the limit required by GB/T 26572-2011.

表示该有害物质至少在该部件的某一均质材料中的含量超出 GB/T 26572-2011 规定的限量要求。

Enterprises may further explain the technical reasons for ticking "X" in the table above according to their actual situation herein.

企业可在此处，根据实际情况对上表中打“X”的技术原因进行进一步说明。

*Exemptions according to EU RoHS 2011/65 Annex III and IV might be applied

*欧盟 RoHS 2011/65 附件 III 和 IV 的豁免可能适用

■ Restricted substances beyond limit required by GB/T 26572-2011.

限制物质的含量超过 GB/T26572-2011 规定限制



EFUP (Environment Friendly Use Period) 环保使用期限:

i.V. 授权 D. Kensy

Rietheim 里泰姆 16.11.2021

Place and date of issue 签发地点和日期

Director R&D 研发总监

Marking of Hazardous Substances 有害物质标识

WERMA Signaltechnik GmbH + Co. KG
Dürbheimer Straße 15
78604 Rietheim-Weilheim / Germany

WERMA article number 伟马快德物料号:

686.263.05, 686.373.05, 686.483.05, 686.593.05, 686.900.04, 686.900.05

According to the SJ/T 11364-2014 Standard of the People's Republic of China for the Electronic Industry

本表格依据中华人民共和国 SJ/T 11364-2014 的规定编制

Component Name 部件名称	Hazardous Substances 有害物质					
	Lead 铅 (Pb)	Mercury 汞 (Hg)	Cadmium 镉 (Cd)	Hexavalent Chromium 六价铬 (Cr (VI))	Polybrominated biphenyls 多溴联苯 (PBB)	Polybrominated diphenyl ethers 多溴二苯醚 (PBDE)
Plastic parts 塑料件	○	○	○	○	○	○
Label 标签	○	○	○	○	○	○
PCB and its electronics components 印制电路板及其电子元器件	X	○	○	○	○	○
Buzzer 蜂鸣器	○	○	○	○	○	○
Contact spring 接触弹片	○	○	○	○	○	○

This table was developed according to the provisions of SJ/T 11364-2014
本表格依据 SJ / T 11364-2014 的规定编制

O: The content of such hazardous substance in all homogeneous materials of such component is **below** the limit required by GB/T 26572-2011.

表示该有害物质在该部件所有均质材料中的含量均在 GB/T 26572-2011 规定的限量要求以下。

X: The content of such hazardous substance in all homogeneous materials of such component is **beyond** the limit required by GB/T 26572-2011.

表示该有害物质至少在该部件的某一均质材料中的含量超出 GB/T 26572-2011 规定的限量要求。

Enterprises may further explain the technical reasons for ticking "X" in the table above according to their actual situation herein.

企业可在此处，根据实际情况对上表中打“X”的技术原因进行进一步说明。

*Exemptions according to EU RoHS 2011/65 Annex III and IV might be applied

*欧盟 RoHS 2011/65 附件 III 和 IV 的豁免可能适用

■ Restricted substances beyond limit required by GB/T 26572-2011.

限制物质的含量超过 GB/T26572-2011 规定限制



EFUP (Environment Friendly Use Period) 环保使用期限:

i.V. 授权 D. Kensy

Rietheim 里泰姆 16.11.2021

Place and date of issue 签发地点和日期

Director R&D 研发总监